

Revision Notes.				
R1 -				
APA: -	Drawn:-	Checked:-	Approved:-	Date: -

ITEM	PART NO.	QTY	MODEL / DESCRIPTION
①	(5850)	1	CS-3100T-ECU CORNER SCAN ECU
②	(3715)	1	UDS-001BZ BUZZER WITH LED
③	(3717)	1	UDS-2.5BC 2.5M BUZZER CABLE
④	(3718)	3	UDS-000-HSS HIGH SENSITIVITY SENSORS
⑤	(3719)	3	UDS-2.5SC 2.5M SENSOR CABLE
⑥	(3723)	3	UDS-11SS SENSOR SLEEVES 11°
⑦	(3724)	3	UDS-18SS SENSOR SLEEVES 18° (NOT SHOWN)
⑧	(3725)	3	UDS-26SS SENSOR SLEEVES 26° (NOT SHOWN)
⑩	(3731)	1	CS-3000-FIX CORNER SCAN FIXING KIT (NOT SHOWN)

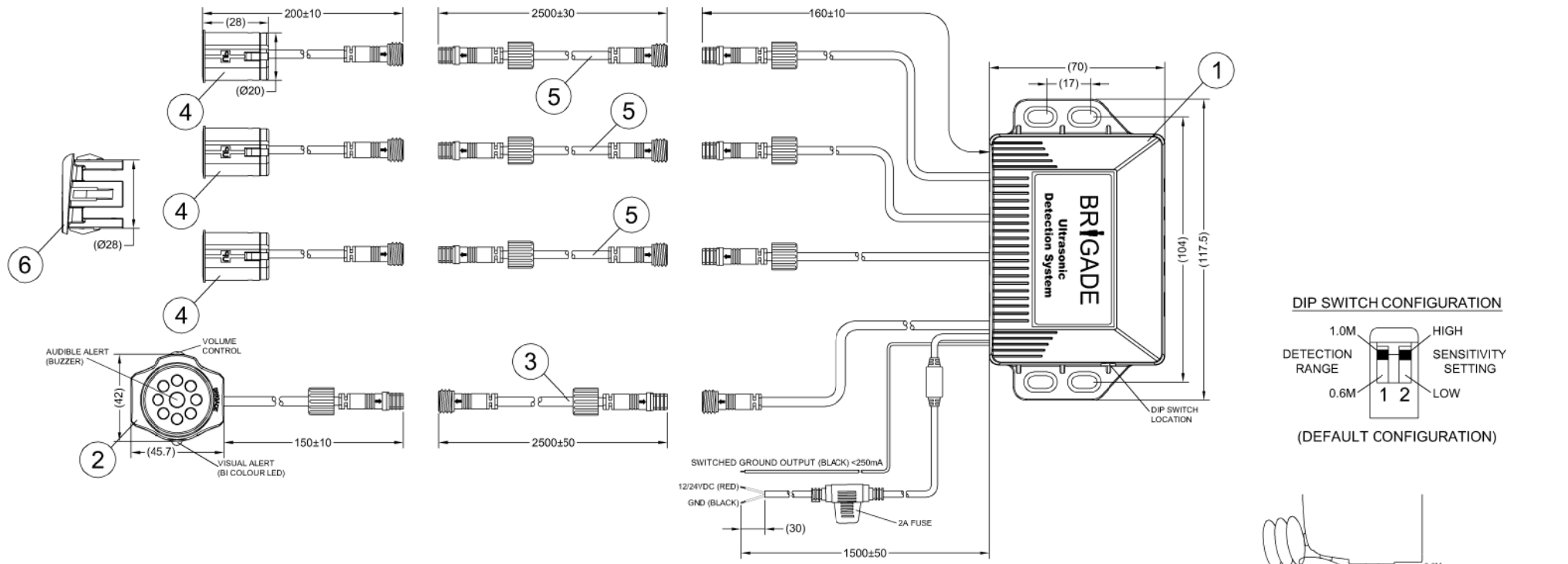
CHANGES FROM BASE PRODUCT CS-3100 (5261) TO CS-3100T (5849)

CHANGE:

- CS-3100-ECU (5259) REPLACED WITH CS-3100T-ECU (5850)
- CS-3100 GB-LBL REPLACED WITH CS3100T GB-LBL
- USER GUIDE UDS-IG (5263) REMOVED

OPERATION:

GROUND OUTPUT ON BLACK WIRE OPERATES DURING DETECTION (MAX CURRENT 250mA)



NOTES:

- WHEN THE SYSTEM IS POWERED BUT NOT DETECTING THE VISUAL ALERT WILL REMAIN GREEN.
- WHEN THE SYSTEM DETECTS AN OBJECT AND THERE IS NO CHANGE IN DETECTION DISTANCE AFTER 4 SECONDS, THE VISUAL ALERT WILL REMAIN RED ALTHOUGH THE AUDIBLE ALERT WILL BE SILENCED.
- SHOULD THE SYSTEM DEVELOP A FAULT THE ECU WILL BEEP ONCE FOR ONE FAULTY SENSOR, TWICE FOR TWO FAULTY SENSORS ETC...
- ALL AUDIBLE WARNINGS ARE MEASURED IN BEEPS PER SECOND (bps).
- ALL VISUAL WARNINGS ARE RED AND ARE MEASURED IN FLASHES PER SECOND (fps).

PROPRIETARY NOTICE

THIS DESIGN AND TECHNICAL INFORMATION APPEARING ON THIS DRAWING IS THE PROPERTY OF BRIGADE ELECTRONICS, AND IS DISCLOSED IN CONFIDENCE. IT IS NOT TO BE COPIED, REPRODUCED, REVEALED TO OR EXPROPRIATED BY OTHERS, EITHER IN WHOLE OR IN PART WITHOUT THE EXPRESS WRITTEN CONSENT OF BRIGADE ELECTRONICS.

BRIGADE®

Assembly PI Approval A. YAO	Approved by B. CHILDS	Checked by J. STUART	Drawn by A. FOSTER
Angle of Projection	Units mm	Scale N/A	Released 04/07/19
Third Angle	Status RELEASED	Assembly Ref CS-3100T	
	Part No 5849	BE-004087-00-19	